

SPM-04A Slip rings

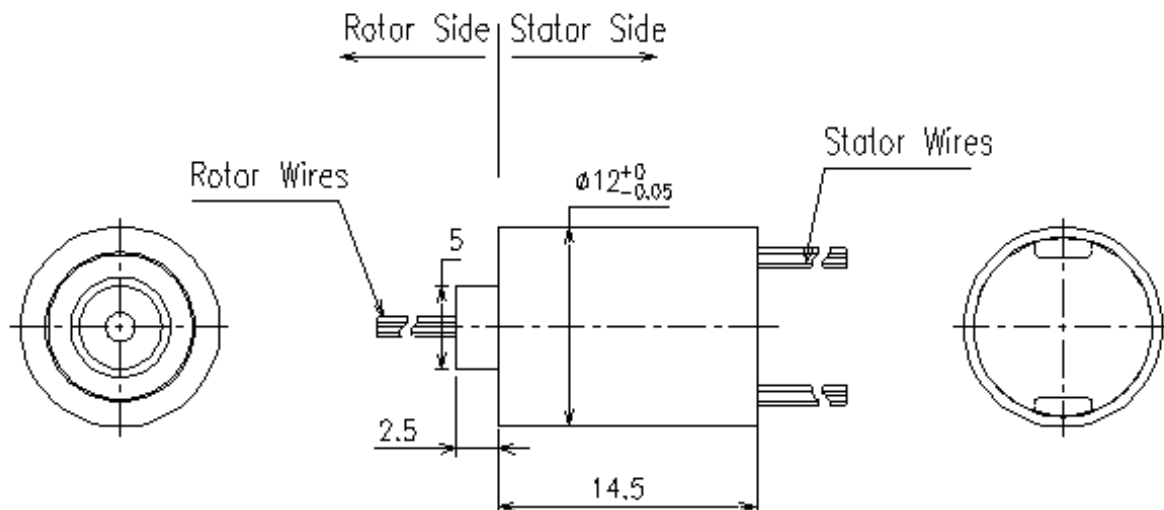


Facts

- In general slip rings are used to transmit power, signals or data from a stationary to a rotating platform
- Max.4 rings with 2 A
- Dimensions: OD 12 mm,
- 48 V AC/DC

SPM-04A Slip rings

Electronic & Electric		Mechanical	
Circuits	max. 4 rings with 2 A	Working Speed	0-300 rpm
		Housing material	Engineering Plastic
Voltage	48 V AC/DC	Wire size	28# Teflon UL
Electrical noise	≤20mΩ@50rpm	Lead wire length	300mm
Insulation resistance	50 MΩ @ 200 VDC	Environment	
Dielectric strength	200 VAC @ 50 Hz	Protection	IP40
Contacts material	Gold To Gold	Working temperature	-20 °C~ +80 °C (-5 °F~ +175 °F)



Wire kind	Ring#	Color	Ring#	Color	Ring#	Color
AWG28#	1#	Black	2#	Brown	3#	Red
	4#	Orange				

Head Quarter
 JINPAT High Tech.Park,No.153,Huaxing Rd
 Dalang Street,Longhua New District,Shenzhen China
 Tel:+86-755 8204 2235
 Fax:+86-755 2151 7849
 Email:sales@slipring.cn