

Inductive Sensor with IO-Link

I30H013

Part Number

weproTec



- Easy sensor configuration using the IO-Link interface
- Innovative ASIC circuit technology
- Integrated error display and error output
- Minimal mounting clearance thanks to wenglor weproTec

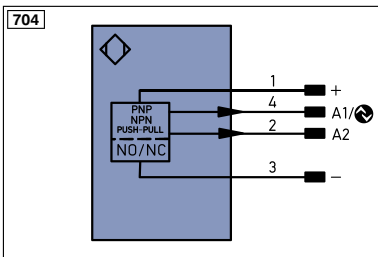
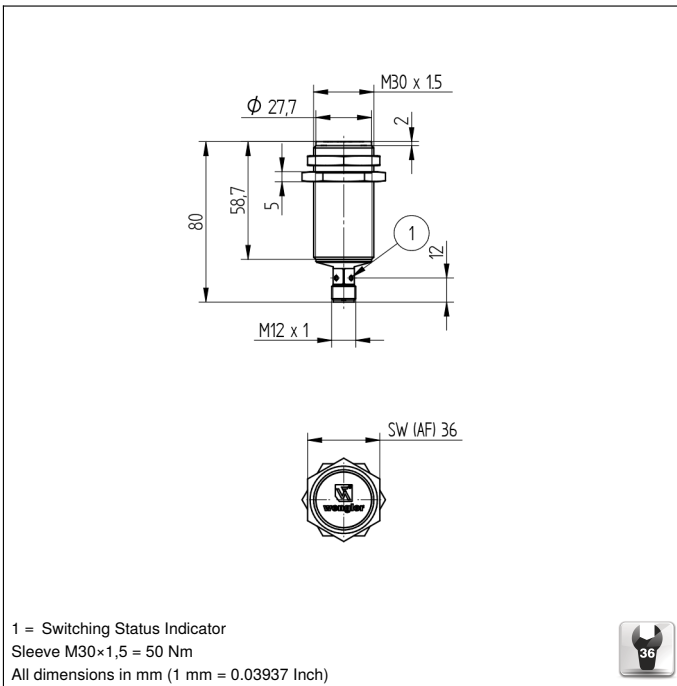
The Inductive Sensors have not only been equipped with ASIC, but rather with an IO-Link interface as well for ideal integration into networks. As a result, a total of three switching distances and two switching frequencies can be selected, and PNP/NPN as well as NO/NC/antivalent options can be set as desired. This reduces the number of variants while simultaneously expanding the scope of functions.

Technical Data

Inductive Data	
Switching Distance	22 mm
Standard Target	66 × 66 mm
Correction Factors Stainless Steel V2A/CuZn/Al	0,85/0,35/0,34
Mounting	semi-flush
Mounting A/B/C/D in mm	35/49/66/7
Mounting B1 in mm	0...40
Switching Hysteresis	< 10 %
Electrical Data	
Supply Voltage	10...30 V DC
Supply Voltage with IO-Link	18...30 V DC
Current Consumption (U _b = 24 V)	< 12 mA
Switching Frequency	500 Hz
Temperature Drift	< 10 %
Temperature Range	-40...80 °C
Switching Output Voltage Drop	< 1 V
Switching Output/Switching Current	150 mA
Residual Current Switching Output	< 100 µA
Short Circuit Protection	yes
Reverse Polarity and Overload Protection	yes
Interface	IO-Link V1.1
Protection Class	III
Mechanical Data	
Housing Material	CuZn, nickel-plated
Degree of Protection	IP67
Connection	M12 × 1; 4-pin
Safety-relevant Data	
MTTFd (EN ISO 13849-1)	3706,54 a
Function	
Error Indicator	yes
Programmable switching distance	15/20/22 mm
Programmable switching frequency	yes
IO-Link	●
Switchable to NC/NO	●
Configurable as PNP/NPN/Push-Pull	●
Programmable error output	●
Connection Diagram No.	704
Suitable Connection Equipment No.	2
Suitable Mounting Technology No.	130 132

Complementary Products

IO-Link Master
Software



Legend			
+	Supply Voltage +	PT	Platinum measuring resistor
-	Supply Voltage 0 V	nc	not connected
~	Supply Voltage (AC Voltage)	U	Test Input
A	Switching Output (NO)	Ū	Test Input inverted
Ā	Switching Output (NC)	W	Trigger Input
V	Contamination/Error Output (NO)	W-	Ground for the Trigger Input
Ṽ	Contamination/Error Output (NC)	O	Analog Output
E	Input (analog or digital)	O-	Ground for the Analog Output
T	Teach Input	BZ	Block Discharge
Z	Time Delay (activation)	AMV	Valve Output
S	Shielding	a	Valve Control Output +
RxD	Interface Receive Path	b	Valve Control Output 0 V
TxD	Interface Send Path	SY	Synchronization
RDY	Ready	SY-	Ground for the Synchronization
GND	Ground	E+	Receiver-Line
CL	Clock	S+	Emitter-Line
E/A	Output/Input programmable	±	Grounding
	IO-Link	SnR	Switching Distance Reduction
PoE	Power over Ethernet	Rx+/-	Ethernet Receive Path
IN	Safety Input	Tx+/-	Ethernet Send Path
OSSD	Safety Output	Bus	Interfaces-Bus A(+)/B(-)
Signal	Signal Output	La	Emitted Light disengageable
BI_D+/-	Ethernet Gigabit bidirect. data line (A-D)	Mag	Magnet activation
EN0.6542	Encoder 0-pulse 0-0 (TTL)	RES	Input confirmation
		EDM	Contactor Monitoring
		EN0.6542	Encoder A/Ā (TTL)
		EN0.6542	Encoder B/B̄ (TTL)
		ENa	Encoder A
		ENb	Encoder B
		AMIN	Digital output MIN
		AMAX	Digital output MAX
		AOK	Digital output OK
		SY_in	Synchronization In
		SY_OUT	Synchronization OUT
		OLt	Brightness output
		M	Maintenance
		rsv	reserved
			Wire Colors according to DIN IEC 757
		BK	Black
		BN	Brown
		RD	Red
		OG	Orange
		YE	Yellow
		GN	Green
		BU	Blue
		VT	Violet
		GY	Grey
		WH	White
		PK	Pink
		GNYE	Green/Yellow

Mounting

