

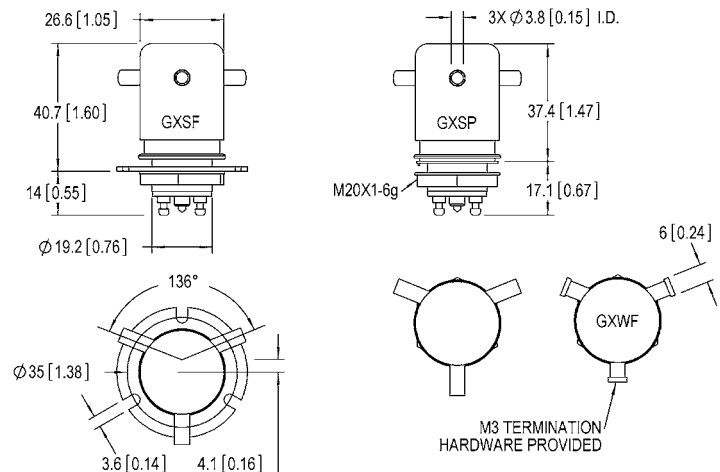
FEATURES

- > Gas dielectric excellent for effectively bounceless make load applications
- > Jam nut or flange mounting styles standard
- > Mounting options in any axis
- > Solder or convenient threaded HV connections



PRODUCT SPECIFICATIONS

Contact & Relay Ratings	Units	G15
Contact Form		C
Contact Arrangement		SPDT
Contact Material (moveable/stationary)		molybdenum /tungsten
Dielectric		Inert Gas
Voltage, Test Max., Contacts & to Base (15 µA Leakage Max.) dc or 60Hz	kV Peak	17
Voltage, Operating Max., Contacts & to Base (15 µA Leakage Max.) dc or 60 Hz	kV Peak	15
Current, Load Switching		Contact factory**
Current, Continuous Carry Max dc or 60 Hz	Amps	12
Coil Hi-Pot (V RMS, 60 Hz)	V	500
Resistance, Contact Max @ 1A, 28 Vdc	ohms	1.0
Operate Time	ms	15
Release Time	ms	9
Life, Mechanical	cycles	1 million
Weight, Nominal	g (oz)	84 (3)
Vibration, Operating, Sine (55-500 Hz Peak)	G's	10
Shock, Operating, 1/2 Sine 11ms (Peak)	G's	50
Temperature Ambient Operating	°C	-55 to +125



COIL RATINGS

Nominal, Volts dc	12	26.5	115
Pick-up, Volts dc, Max.	8	16	80
Drop-Out, Volts dc	.5 - 5	1 - 10	5 - 50
Coil Resistance (Ohms ±10%)	48	180	2900

PART NUMBER SYSTEM

G15	S	P	
High Voltage/Power Terminal Connections	S = Solder Pot W = Screw		
Mounting		P = Through Panel F = Flange	
Coil Voltage*			Blank = 26.5 Vdc -12Vdc = 12Vdc -115Vdc = 115Vdc

* Order the relay with the coil voltage in the part number as shown above. The coil voltage will appear on the coil plate near the coil terminals rather than in the P/N on the relay.

** Consult factory for load switching applications.