

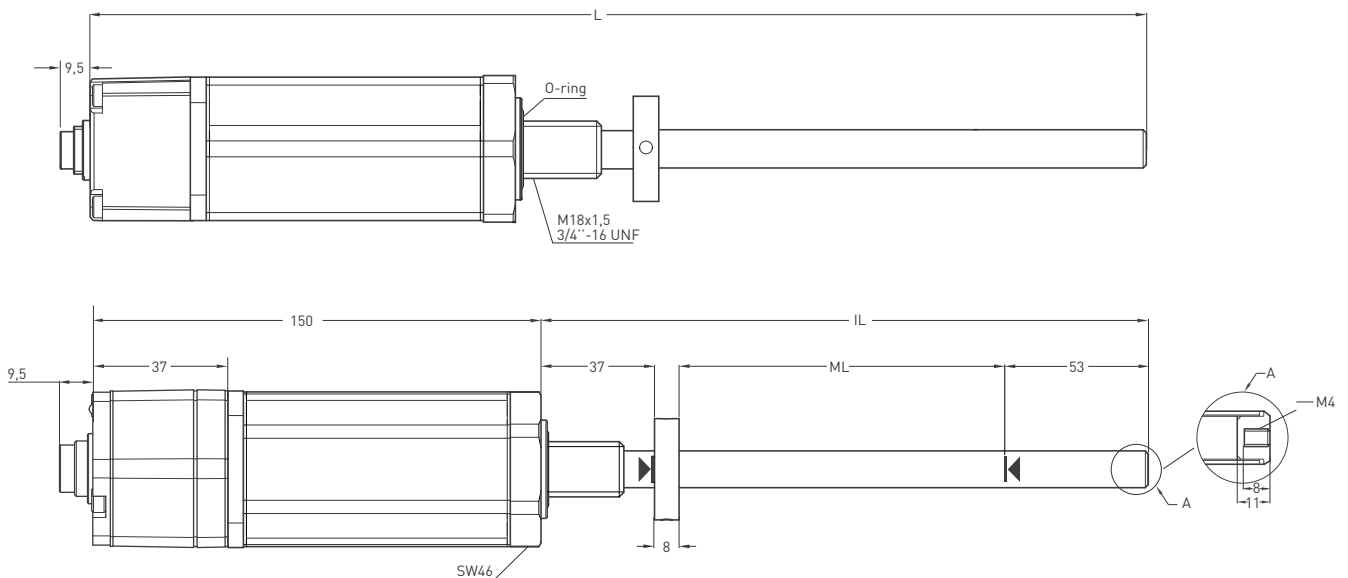


- Measuring length 100 - 5000 mm
- SSI protocol
- 24 VDC power supply
- 25µm (100mm-400mm),
50µm (450mm-3000mm),
100µm (4000mm-5000mm)



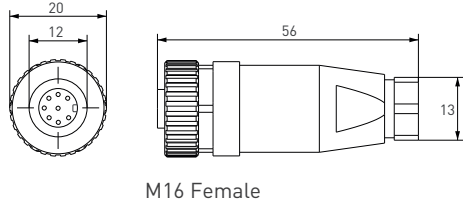
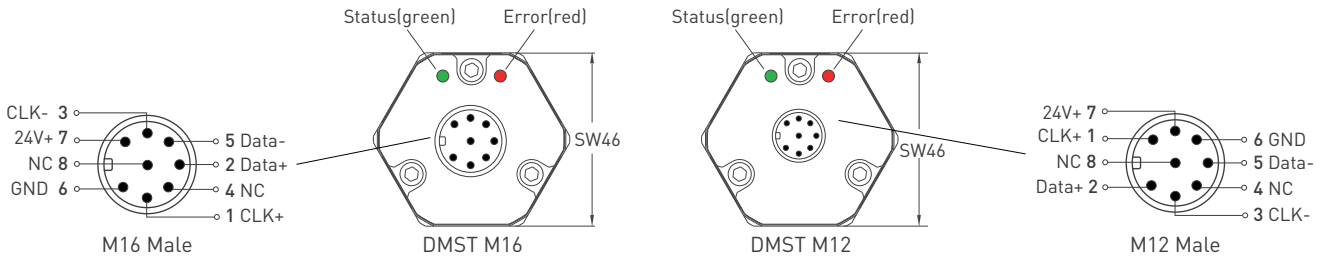
Technical Specifications	
Measurement stroke	100 - 5000 mm
Resolution	25µm (100mm-400mm), 50µm (450mm-3000mm), 100µm (4000mm-5000mm)
Repeatability	100 µm
Output	SSI
Power supply	24 VDC ±10%
Displacement speed	max. < 5 m/s
Sampling rate	Up to 2 KHz (depending on stroke length)
Max. consumption	<100 mA (depending on stroke length)
Linearity	Up to ±0,05% full scale (min.100 µm)
Reverse polarity protection	Up to -30 VDC
Overvoltage protection	Up to +30 VDC
Update time	1 ms (at 1Mb/s)
Interface	RS422 / RS485 SSI - Gray SSI - Binary
Baud rate	max. 1Mbit sec.
Diagnostic LEDs	Green led : Power on, BUS communication active Red led : Error, Stop mode
Protection level	IP 65
Operating temperature	-10°C ... +70°C
Storage temperature	-30°C ... +90°C

Mechanical Specifications

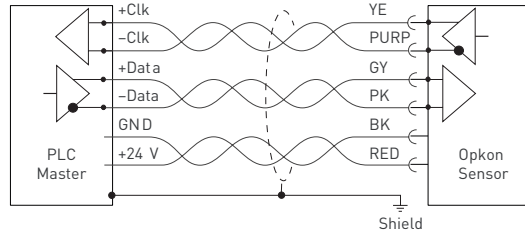
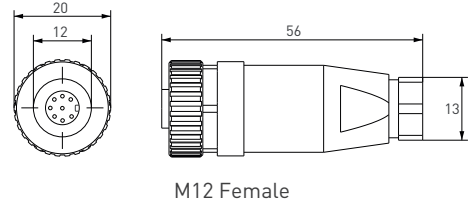


DMST (mm)	100	150	200	250	300	350	400	450	500	550	600	650	700	750	800	850	900	1000	1100	1200	1300	1400	1500	1750	2000	2250	2500	3000	4000	5000			
ML (Measuring Length)	100	150	200	250	300	350	400	450	500	550	600	650	700	750	800	850	900	1000	1100	1200	1300	1400	1500	1750	2000	2250	2500	3000	4000	5000			
IL (Installation Length)	198	248	298	348	398	448	498	548	598	648	698	748	798	848	898	948	998	1098	1198	1298	1398	1498	1598	1848	2191	2441	2691	3211	4211	5211			
L (Total Length)	348	398	448	498	548	598	648	698	748	798	848	898	948	998	1048	1098	1148	1248	1348	1448	1548	1648	1748	1998	2341	2591	2841	3361	4361	5361			
Dead Zone Calculation	37/53																																

Connection

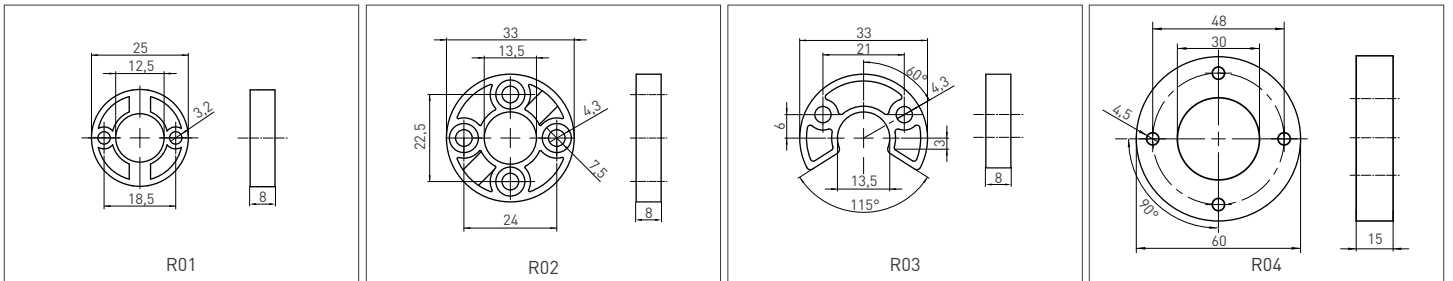


CABLE	
Yellow	CLK +
Grey	DATA +
Purple	CLK -
Brown-Green	NC
Pink	DATA -
Red	24V +
Green-White	NC
Black	GND



Cable Connection

Cursor



Ordering Procedure

Model	Measurement stroke	Rod & Thread	Sealing Surface	Protokol	CRC-Check	Format	Data-length	Cursor	Connector / Cable	Dead Zone
DMST	150	E12	S	SSI	0	G	16D	1R02	CN8B	37/53
DMST	100 -5000 mm	E10 : Ø10 , M18x1,5 E12 : Ø12 , M18x1,5 U10 : Ø10 , 3/4"-16 UNF U12 : Ø12 , 3/4"-16 UNF E010 : Ø10 , M24x1,5 E012 : Ø12 , M24x1,5 EA10 : Ø10 , M24x1,5 EA12 : Ø12 , M24x1,5 EB10 : Ø10 , M30x2 EB12 : Ø12 , M30x2	S: O-ring F: Flat	SSI : SSI	0: No CRC 5: 5 bit CRC 6: 6 bit CRC 16: 16 bit CRC	G: Gray B: Binary	16D : 16 bit 24D : 24 bit 25D : 25 bit 26D : 26 bit	1R01: 25 mm 1R02: 33 mm 1R03: 33 mm 1R04: 60 mm 1R01: 1 cursor 2R01: 2 cursors	1M : 1 meter 2M5 : 2,5 meter 5M : 5 meter CN8A : M12 CN8B : M16	≤ 2000 mm 30/53 37/53 47/53 57/53 67/53 77/53 30/60 51/63 > 2000-3000 mm 130/53 > 3000-5000 mm 150/53