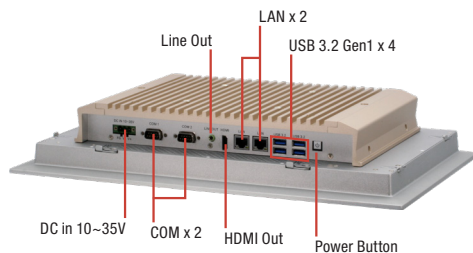
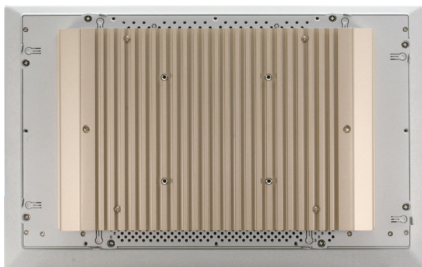


OMNI-2155-CML

15.6" HMI Panel PC with 10th Generation Intel® Core™ / Celeron® Processor



Features

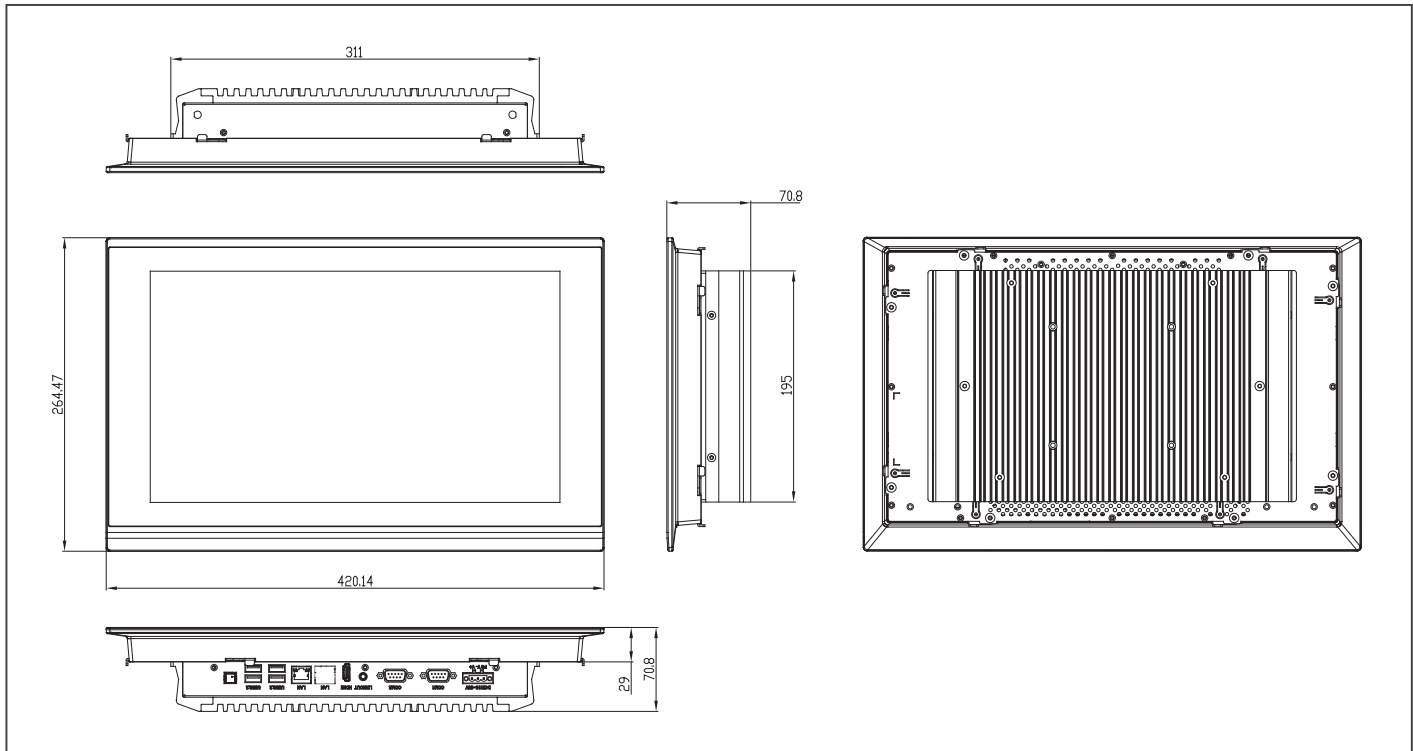
- 15.6" (1366 x 768) TFT LCD Display
- Extreme Computing Power & Graphic Display Capability
- DDR4 slot x 2, up to 64GB
- Support High Speed NVMe storage (M.2 2280)
- GbE LAN x 2, RS232/422/485 x 2
- USB 3.2 Gen2 x 4
- Supports Intel® AMT
- Wide Range 10-35V DC input
- 0 ~ 45°C Operating Temperature



Specifications

System	
Processor	Intel® Core™ i9-10900TE Intel® Core™ i7-10700TE Intel® Core™ i5-10500TE Intel® Core™ i3-10100TE Intel® Celeron® G5900TE
System Memory	DDR4 SO-DIMM x 2, up to 64GB
LCD/CRT Controller	—
Ethernet	Intel® i211 x 1, i219 x 1
I/O Port	USB 3.2 Gen 2 x 4 RJ-45 x 2 for GbE LAN (i211-AT x 1, i219-LM x 1) HDMI x 1 Line out x 1 DB-9 x 2 for RS-232/422/485 3 pin 10~35V Power Input x 1 Power Button with LED x 1
Storage Disk Drive	M.2 2280 slot x 1 (PCIex4), 2.5" SATA SSD/HDD bay x 1
Expansion Slot	M.2 2230 E Key x 1, M.2 2280 B Key x 1 Full-Size Mini Card x 1 (mSATA/PCIe switch by BIOS, default PCIe), SIM x 1
OS Support	Windows® 10 IoT Enterprise 64-bit, Linux Ubuntu 20.04
Mechanical	
Construction	Aluminum Design (IP65 Front Frame)
Mounting	VESA 100 / Panel Mount
Dimension	420.14mm x 264.47mm x 73.2 mm
Carton Dimension	530mm x 445mm x 200mm
Gross Weight	6.75 kg
Environmental	
Operating Temperature	32°F ~ 113°F (0°C ~ 45°C) (35W CPU), according to IEC68-2-14 with 0.5 m/s AirFlow
Storage Temperature	-4°F ~ 158°F (-20°C ~ 70°C)
Storage Humidity	90% @40°C; non-condensing
Vibration	1 Grms/ 5~500Hz/random operation
Shock	15 G peak acceleration (11 msec. duration)
EMC	CE/FCC class A
Power Supply	
DC input	10-35V DC-in with 3-pin terminal block
LCD	
Display Type	15.6" TFT-LCD, LED
Max Resolution	1366 (H) x 768 (V)
Max. Colors	16.7M (8 bit/color)
Luminance	400 cd/m ²
Viewing Angle	170° (H), 130° (V)
Back Light	LED
Back Light MTBF (Hours)	50,000
Touchscreen	
Type	Flat 5-wire Resistive / P-CAP Multi Touch
Light Transmission	80% ± 3% / 88% ± 2%

Dimension Unit: mm



Ordering Information

Part Number	Display Type	Max Resolution	Luminance	View Angle	Backlight MTBF (Hours)	CPU	LAN	USB 2.0	USB 3.2 Gen 2	RS-232	RS-485/422/232	Storage	RAM	Display	Expansion	Mounting	Power	Temp.	Touch
OMNI-2155HTT-CML-A2-1010	15.6" TFT LCD	1366 x 768	400 cd/m ²	170°(H) 130°(V)	50,000	Intel® Core™ i9-10900TE Intel® Core™ i7-10700TE Intel® Core™ i5-10500TE Intel® Core™ i3-10100TE Intel® Celeron® G5900TE	2	—	4	—	2	M.2 2280 slot x 1 (PCIe4), 2.5" SATA SSD/HDD bay x 1	DDR4 SO-DIMM x 2, up to 64GB	HDMI x 1	M.2 2230 E Key x 1 Full-Size Mini Card x 1	VESA 100 / Panel Mount	10-35V DC-in with 3-pin terminal block	0°C ~ 45°C with 0.5m/s airflow	Projected Capacitive multitouch

Packing List

- Phoenix Power Connector x 1
- OMNI-2155-CML x 1

Optional Accessories

- **AP-0T9789LA1000**
LCD Monitor Stand 230mm, LA-100
- **1702031802**
Power Cord (US Type)
- **1702031803**
Power Cord (European Type)
- **170203180E**
Power Cord (Japanese Type)
- **125590120B**
120W Power Adapter
- **1255302300**
230W Power Adapter