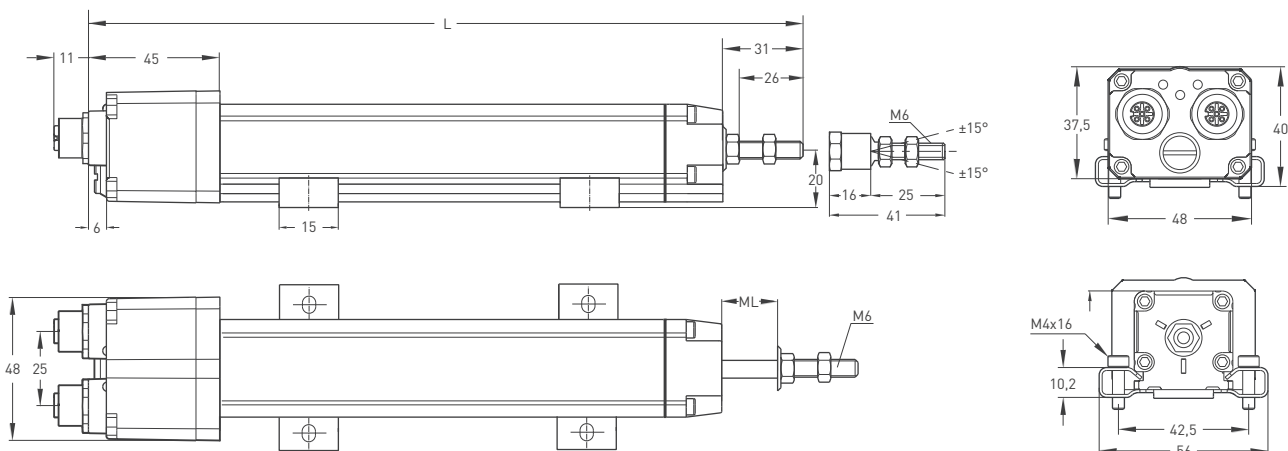


- Measuring length 30 - 1000 mm
- CANopen protocol
- 24 VDC power supply



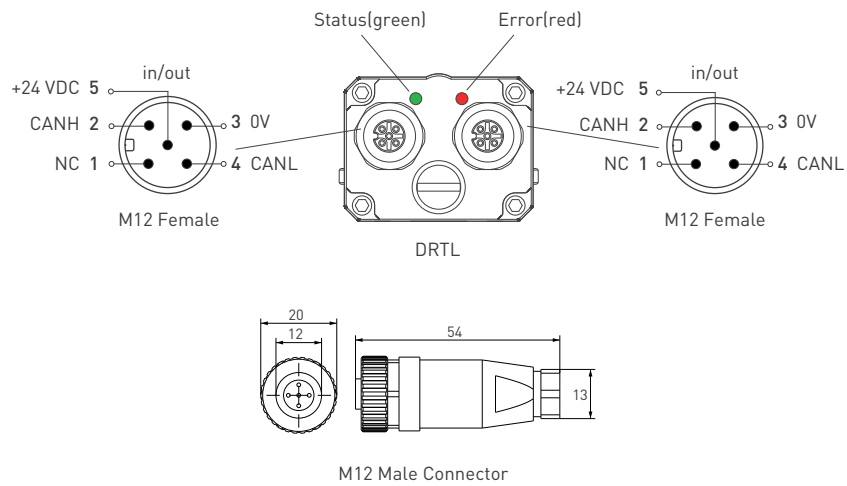
Technical Specifications	
Measurement stroke	30 - 1000 mm
Resolution	10µm (30mm-300mm), 20µm (300mm-500mm), 40µm (500mm-1000m)
Repeatability	< 0.01 mm
Output	CANopen
Power supply	8V DC up to 30V DC
Displacement speed	max. < 5 m/s (depending on stroke length)
Max. consumption	0.6 W
Linearity	Up to ±0,05% (>200mm), ±0,01% (130-200mm), ±0,005% (75-130mm), ±0,5% (<75mm)
Reverse polarity protection	Up to -30 VDC
Overvoltage protection	Up to +30 VDC
Update time	1 ms (at 500 Kbit/s)
Interface	CAN
Protocol	CANopen
Data-length	16 bit
Communication	CiA 301, CiA 406 V 3.2
Diagnostic LEDs	Green LED : Power on, CAN communication active Red LED : Error, Stop mode
Mechanical life	100 millions movement
Case dimensions	33 mm x 33 mm
Case material	Anodized aluminium
Rod material	Stainless steel
Rod diameter	6 mm
Mechanical fixing	Variable brackets
Sensor Adress (Default Node ID)	1 up to 127 (default node ID : 20)
Baud rate	10 Kbit/s to 1 Mbit/s (default Baud Rate : 500 Kbit/s)
Termination	120R Configure with Software
Properties	Asynchronous - Synchronous communication, SDO, SPO, Guard-Time, Heartbeat, Node ID, Baud Rate, Termination, etc.
PDO (Process data object)	1800h PDO1 : Asynchronous position value 1800h PDO2 : Synchronous position value 1800h PDO3 : Asynchronous speed value
Protection level	IP 65
Operating temperature	-20°C ... +80°C
Storage temperature	-30°C ... +90°C

**Mechanical Specifications**



DRTL (mm)	30	50	75	100	125	130	150	175	200	225	250	275	300	325	350	375	400	450	500	550	600	650	700	750	800	850	900	1000
ML [Measuring Length]	30	50	75	100	125	130	150	175	200	225	250	275	300	325	350	375	400	450	500	550	600	650	700	750	800	850	900	1000
L [Total Length]	175	195	220	245	270	275	295	320	325	350	375	400	425	450	475	500	525	575	625	675	725	775	825	875	925	975	1025	1125

## Connection



## Ordering Procedure

Model	Measurement stroke	Protocol	Baud rate	Termination	Node ID	Connecting brackets
DRTL	150	COB	6BR	1S0	20	BR02
DRTL	30 - 1000 mm	COB: CANopen	0BR:10 kbit/s 1BR:20 kbit/s 2BR:50 kbit/s 3BR:100 kbit/s 4BR:125 kbit/s 5BR:250 kbit/s 6BR:500 kbit/s 7BR:800 kbit/s 8BR:1 Mbit	Termination: 1S0: off 1S1: on	1 - 127	BR01 BR02