

Super Miniature Slip Ring LPMS-06B

This unit can be used in any electromechanical system that requires unrestrained, continuous rotation while transferring power or data from a stationary to a rotating structure.

The LPMS-06B super miniature slip ring is a standard, off-the-shelf unit that uses gold contacts at the rotary interface. And the housing material is engineering plastic or metal. Color-coded lead wires are used on both the stator and rotor for simplifying electrical connections.

The LPMS-06B allows tremendous flexibility in dealing with system size restrictions. It is available in 4-6 circuit configurations.



Specifications

Operating Speed	0-100 rpm
Number of Circuits	6 Circuits
Voltage	240 VAC/DC
Current Rating	1amp per circuit
Temperature Range	-20°C to +60°C
Contact Material	Precious metals
Wire Size	30# silver plated copper
Wire Length	Standard 250 mm (9.843inch)
Dielectric Strength	≥500 VAC @50Hz, between each circuit
Housing Material	Engineering plastic
Electrical Noise	Max 10 mΩ

Capsule Length

# of Circuits	L (mm)	Part No
6	11.2	LPMS-06B

- ◆ The operating life of the unit depends upon temperature, rotation speed and environment.
- ◆ The operating life ≥50,000,000 runs ref.

Features



- ✓ 6 circuits models
- ✓ 1 amp per circuit, 240 VAC/DC
- ✓ Precision assembly to provide exceptional rotational life
- ✓ Speed up to 100 rpm continuous
- ✓ Flexible, color-coded, silver-plated lead wires
- ✓ Superior handling of low level control signals
- ✓ Precious metals contacts
- ✓ Engineering plastics housing



TEMPERATURE RANGE
-20° C to 60° C



MAXIMUM OPERATING SPEED
0-300 RPM

Applications

- ✓ Electrical test equipment
- ✓ Manufacturing and process control equipment
- ✓ Indexing tables
- ✓ CTV pan / tilt camera mounts
- ✓ Robotics, rotary sensors, urgent illumination equipmen
- ✓ Exhibit / display equipment
- ✓ Min-type wire-rolling machine
- ✓ Closed-circuit control

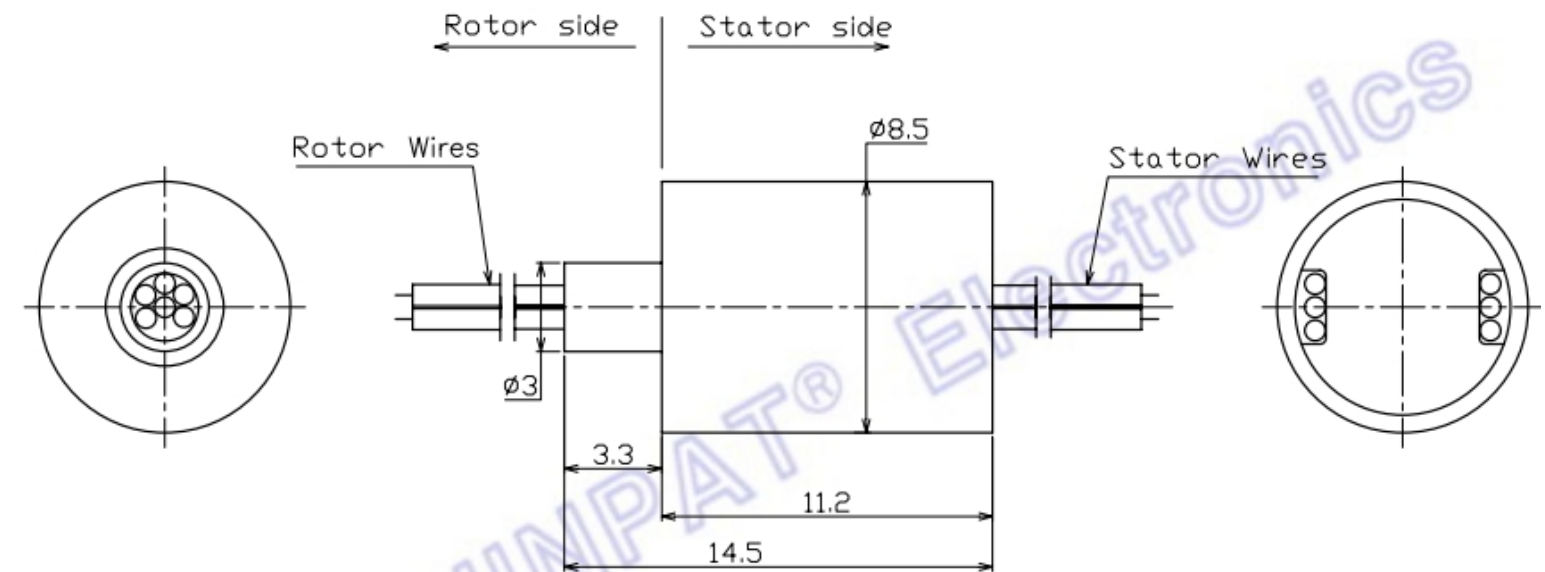


Advantage



- ✓ Low torque minimizes system torque budget
- ✓ Compatible with all kinds of data signals
- ✓ Smooth running, compact design
- ✓ Extremely small and stable electric noise
- ✓ Compact design to fit in the most demanding space
- ✓ 360°continuous rotation
- ✓ High bandwidth transfer capability
- ✓ Addition of special components
- ✓ There are various kinds of commonly used plug-ins
- ✓ Compact package

Drawings



MESSAGE

Any questions about slip ring, please leave your message to get a professional solution

PRODUCT CATEGORY

FORJ
Capsule slip ring
Through bore slip ring
Pancake slip ring
Mercury slip ring
Separate slip ring
Miniature slip ring
Wind turbine slip ring
Hydraulic slip ring
Pneumatic slip ring
Coaxial rotary joints

REQUESTS

Circuits
Current & voltage
Signal details
Dimension
Working speed
Working temperature
Operating Environment
Other

INDUSTRIES

Surveillance
Crane
Medical
Marine
Defence
Radar antenna
Automation
Meter and instrument
Wind turbine generator
VR Device
Other

Wire Color Code

Wire Size	Ring #	Color	Ring #	Color	Ring #	Color	Ring #	Color
30# Silver Plated Copper	#1	BLK	#2	BRN	#3	RED	#4	ORG
	#5	YEL	#6	GRN	#7	BLK-BLU	#8	PUR
	#9	GRAY	#10	WIT	#11	PINK	#12	AZURY
	#13	WIT/BLK	#14	WIT/BRN	#15	WIT/RED	#16	WIT/ORG
	#17	WIT/YET	#18	WIT/GRN	#19	WIT/BLU	#20	WIT/PUR
	#21	WIT/GRAY	#22	CLAR	#23	BLK-RED	#24	BLK/BRN

Remarks: 1. AWG30# silver plated copper Teflon UL, 24 different color single wires for a circle

2. #1 from rotor side (The color if the wire can be changed).

Contact us on wire color codes



Send