

# E500QK-ML

## 5" Qualcomm® Snapdragon™ 660 Defence Rugged Handheld Computer



### KEY FEATURES

- Qualcomm® Snapdragon™ 660 (Octa-core 2.2 GHz), Defence Rugged Handheld Computer
- 5" 1280 x 720 Panel with direct optical bonding
- IP67 waterproof and dustproof
- 8MP Front(Default) / 13MP Rear Camera(Optional)
- With 19 keypad include power key
- With Defence Standard Connector (USB + Power, Optional LAN & Audio)

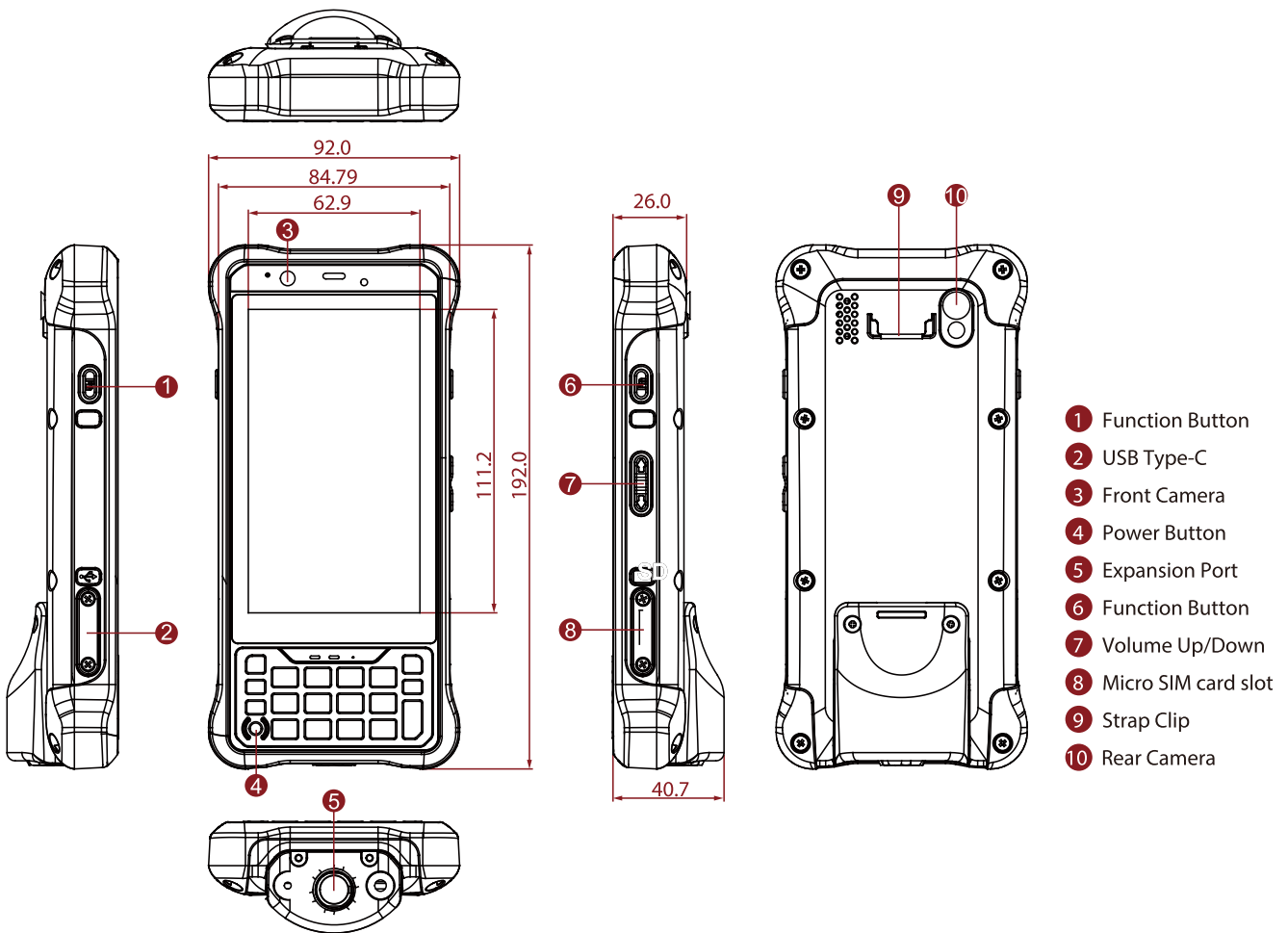


### SPECIFICATIONS

Display			
<b>Resolution</b>	1280x720	<b>Size</b>	5 inches
<b>Contrast Ratio</b>	800:1	<b>Panel Brightness</b>	500 nits
<b>View Angles</b>	80,80,80,80	<b>Type</b>	Projected Capacitive Multi Touch
<b>Touch Mode</b>	Support Hand / Gloves and Rain Mode	<b>Bonding</b>	Optical Bonding for Sunlight Viewability
System Specification			
<b>Processor</b>	Qualcomm® Snapdragon™ 660 (Octa-Core 2.2 GHz)	<b>Memory</b>	3GB
<b>Storage</b>	32GB	<b>Operating System</b>	Android 9.0
<b>WLAN</b>	Support	<b>BT</b>	Support
<b>GNSS</b>	GPS/AGPS	<b>RFID</b>	NFC (Read / Write, Peer to Peer mode) (Optional)
<b>Sensors</b>	Ambient Light Sensor, E-Compass, Gyro, Acceleration Sensors		
Camera			
<b>Front Camera</b>	8MP Camera	<b>Rear Camera</b>	13MP Camera with LED Auxiliary Light (Auto Focus)
Mechanical			
<b>Dimension</b>	192 x 92 x 29.25 mm	<b>Weight</b>	370g
IO Ports			
<b>USB Port</b>	1 x USB 3.0 Type C OTG (support charging)	<b>SD Card Slot</b>	1 x Internal non-accessible Micro SD Card Slot
<b>Audio</b>	1 x Built-in Mic 1 x Speaker	<b>Expansion Port</b>	Military Connector (Optional)
<b>Indicator</b>	1 x LED Indicator		
Environment			
<b>Operating Humidity</b>	5% to 95% RH, Non-Condensing	<b>Operating Temperature</b>	-10°C to 50°C (Battery mode)
<b>Storage Temperature</b>	-30°C to 70°C	<b>Shock</b>	MIL-STD-810G Method 516.6 Procedure I
<b>Vibration</b>	MIL-STD-810G Method 514.6 Procedure I	<b>IP rating</b>	IP67, Compliance IEC60592
<b>Drop</b>	MIL-STD-810G Method 516.6, 5 ft		
Certification			

<b>Certification</b>	CE, FCC		
<b>Control</b>			
<b>Button</b>	On-screen QWERTY Keyboard 1 x 19 Physical Keypad Include Power Key 1 x Volume +/-, 2 x Function Button		
<b>Power</b>			
<b>Battery</b>	3.7V 3900mAh Nonremovable Battery	<b>Battery Operating Time</b>	20Hr
<b>Power Rating</b>	5V	<b>Adapter</b>	5V 1A Adapter with USB TypeC
<b>Security Function</b>			
<b>SOTI MobiControl</b>	SOTI MobiControl Compliance		
<b>Accessory</b>			
<b>Accessory</b>	Universal Adapter USB Type-C Cable	<b>Optional Accessory</b>	Micro SD Card

## DIMENSIONS UNIT:MM



## NOTE

1. Total usable memory will be less dependent upon actual system configuration.
2. Computrace theft protection is available upon request.
3. Length measurements do not include protrusions. Weight varies with options and a digitizer pen.
4. Measured at dimming LCD brightness. Varies depending on the usage conditions, or when an external device is attached.
5. Accessories and integrated options may vary depending on your configuration.
6. This is a simplified drawing, and some components are not marked in detail.
7. The product shown in this datasheet is a standard model. For diagrams that contain customized or optional I/O, please contact the Winmate Sales Team for more information.