

## FEATURES

- > Compact design saves precious space while isolating 35kV
- > Flying leads provide versatile high voltage connections
- > Excellent for capacitive discharge and safety dump switch applications
- > Effectively bounce free operation

## PRODUCT SPECIFICATIONS

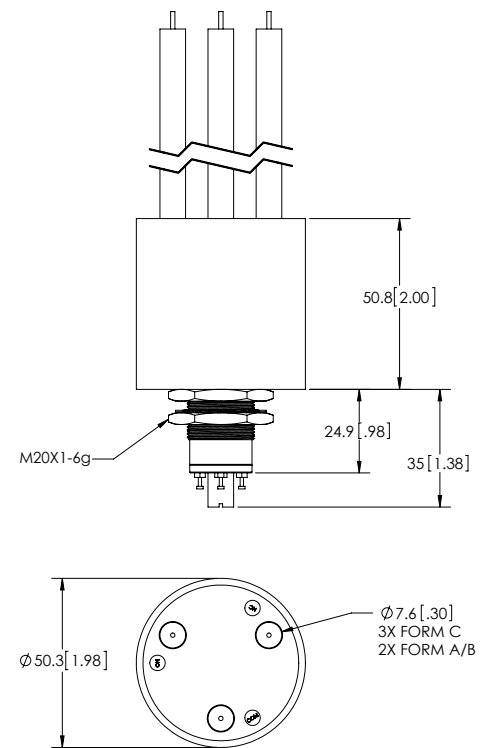
Contact & Relay Ratings	Units	G61LA
<b>Contact Form</b>		A - latch
<b>Contact Arrangement</b>		SPST
Contact Material (moveable/stationary)		molybdenum /tungsten
Dielectric		Inert Gas
<b>Voltage, Test Max., Contacts &amp; to Base (15 µA Leakage Max., dc or 60Hz)</b>	kV Peak	40
<b>Voltage, Operating Max., Contacts &amp; to Base (15 µA Leakage Max.)</b>		
dc	kV Peak	35
60 Hz RMS	kV Peak	30
<b>Current, Continuous Carry Max</b>		
dc or 60 Hz	Amps	10**
<b>Coil Hi-Pot (V RMS, 60 Hz)</b>	V	500
<b>Resistance, Contact Max @ 1A, 28 Vdc</b>	ohms	1.0
<b>Latch Time</b>	ms	15
<b>Reset Time</b>	ms	15
<b>Life, Mechanical</b>	cycles	1 million
<b>Weight, Nominal</b>	g (oz)	336 (12)
<b>Vibration, Operating, Sine (55-500 Hz Peak)</b>	G's	10
<b>Shock, Operating, 1/2 Sine 11ms (Peak)</b>	G's	20
<b>Temperature Ambient Operating</b>	°C	-55 to +85

## COIL RATINGS

Nominal, Volts dc	26.5
Pick-up, Volts dc, Max.	18
Drop-Out, Volts dc	1 - 10
Coil Resistance (Ohms ±10%)	

\* Order the relay with the part number as shown. The latching "L" designator and the coil voltage will not appear in the P/N on the relay but will be indicated on the label that is on the base of the relay. Observe coil polarity.

\*\* Consult factory for load switching applications.



## PART NUMBER SYSTEM

G61LA	8	4	1
<b>Coil Voltage*</b>	8 = 26.5 Vdc, Turret Terminal		
<b>High Voltage Connections</b>		4 = Flying Leads, 12" 7 = Flying Leads, 72" 8 = Flying Leads, 36"	
<b>Mounting</b>			1 = Threaded

Ratings listed are for 25°C, sea level conditions