

W26L100-MRA1FP

26" ECDIS Marine Display



KEY FEATURES

- 26" 1920 x 1200 resolution with projective capacitive multi-touch screen
- Edge-to-edge narrow bezel design and fanless cooling system, ECDIS Marine Display
- Color calibrated for ECDIS compliance (Optional)
- Capacitive touch keys for quick function access and display control (Support ECDIS DAY, DUSK, and NIGHT mode switching)
- Meet the requirements of industrial marine standards, including IEC60945 4th Edition, DNVGL-CG-0339, IACS E10



SPECIFICATIONS

| Display | | | |
|---------------------------|---|------------------------------|--|
| Resolution | 1920x1200 | Size | 26 inches |
| Contrast Ratio | 1500:1 | Panel Brightness | 350 nits |
| Display Color | 16.7M Colors | View Angles | 88,88,88,88 |
| Active Area | 550.08 x 343.8 mm | Touch / Glass | Projected Capacitive Multi Touch Screen (AR Film) AG film (Optional) AR Glass (Optional) |
| Environment | | | |
| Operating Humidity | 5% to 95% | Operating Temperature | -15~55°C |
| Shock | 15G, 11ms duration | Vibration | 0.7g@DNVGL CG-0339 (Class A) |
| IP rating | IP66 (Front Side) | | |
| Certification | | | |
| Certification | DNVGL-CG-0339, IEC60945 4th, IACS E10, CE, FCC | | |
| IO Ports | | | |
| USB Port | 1 x USB Type A | Serial Port | 1 x RS232 for remote control |
| Video | 1 x VGA 1 x DVI-D 1 x HDMI 1.4 | Front Control | Power Brightness+ Brightness- OSD/ Enter ECDIS Key/ ESC |
| Indicator | Day Mode Dusk Mode Night Mode | | |
| Mechanical | | | |
| Dimension | 621 x 432.4 x 85.5 mm | Weight | 12.8 kg |
| Mounting | VESA Mount/ Panel Mount | Enclosure | Anodized Aluminum Bezel |
| Cooling System | Fanless Design | Cut out | 596 x 406 mm |
| Power | | | |
| Power Rating | 24V DC-in with Isolation (Approval by Certificate) 9~36V DC Input Acceptable | Consumption | 55W (Typical) |

Accessory

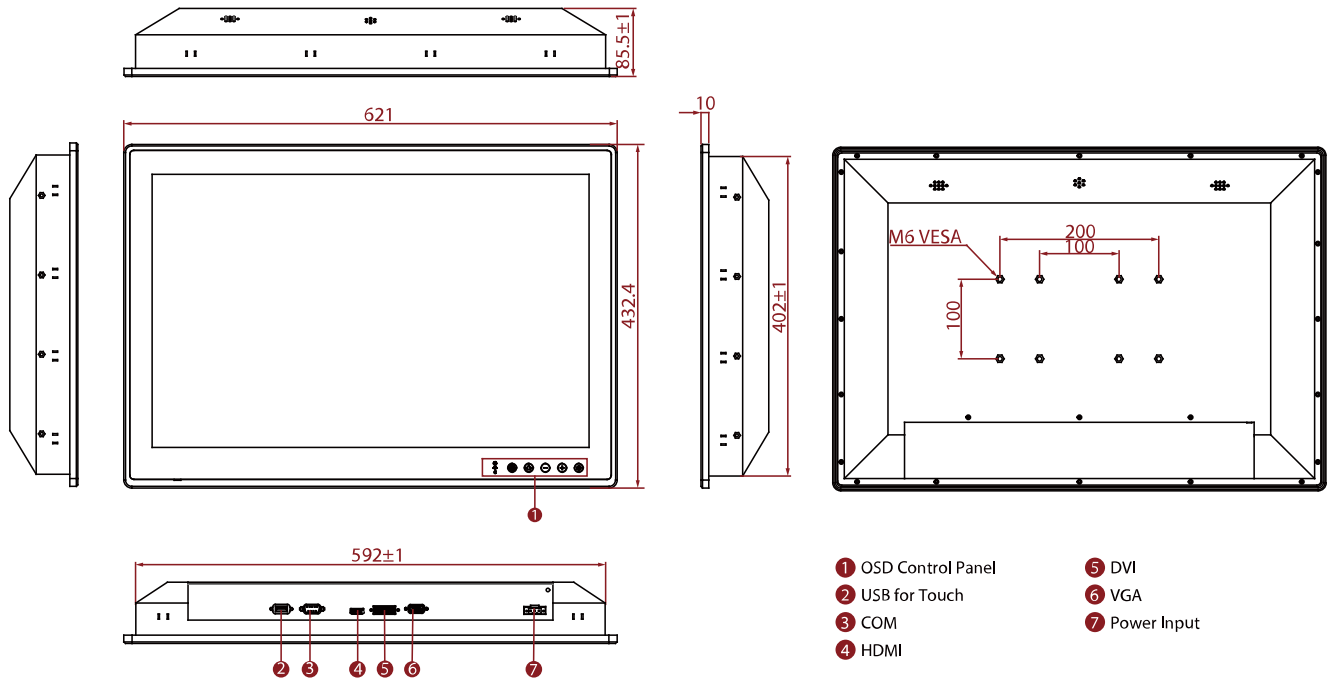
Accessory

User Manual
Quick Start Guide (Hardcopy)
M4 x 12 Black Screw Bolts
AC to DC Adapter
Power Cord
3 Pin Terminal Block
1 x VGA cable
1 x DVI cable
1 x HDMI cable
1 x RS232 cable

Optional Accessory 1 x USB cable

DIMENSIONS

UNIT:MM



NOTE

1. This is a simplified drawing and some components are not marked in detail.
2. Please contact our sales representative if you need further product information.
3. All specifications are subject to change without prior notice.
4. The product shown in this datasheet is a standard model. For diagrams that contain customized or optional I/O, please contact the Winmate Sales Team for more information.