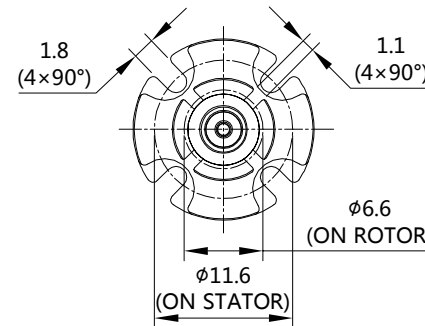
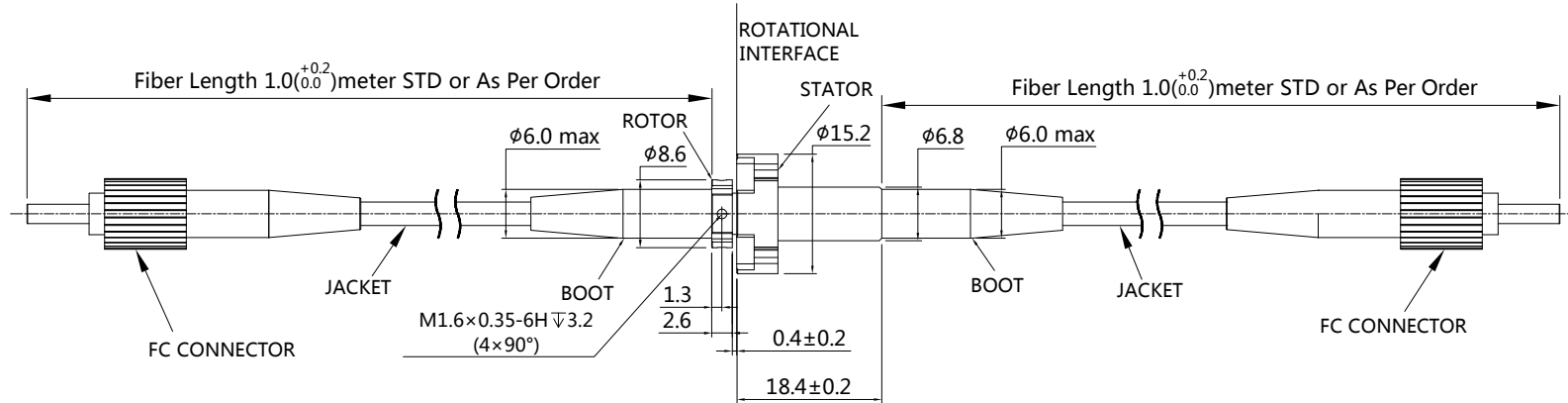



MARK	CONTENT OF AMENDMENT	DATE	DRAW

This document is the property of JINPAT Electronics Co., Ltd (ShenZhen) (Hereafter "JINPAT"). It is lent and is to be returned upon request. The contents of this document are confidential and constitute trade secrets proprietary to JINPAT. Its contents document nor its contents shall be disclosed to any unauthorized person copied or published without JINPAT prior written consent.
COPY RIGHT @ 2018 JINPAT ELECTRONICS Co., Ltd (ShenZhen).

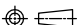


Specifications

Fiber types	SM or MM	Connector types	FC/SC/ST/LC(PC or APC)
Channel number	1	Estimated life cycle	200-400 million revolutions
Wavelength range	650-1650nm	Vibration	MIL-STD-167-1A
Insertion loss	< 2dB	Mechanical shock	MIL-STD-810G
Insertion loss ripple	< 0.5dB	IP rating	IP65 or IP68
Return loss	≥ 40dB		
Max Optical power	23dBm		
Maximum speed	2000rpm		
Working temperature	-45 ~ 85°C		
Storage temperature	-50 ~ +85°C		
Package style	Pigtails on both ends		
Weight, approx	10g (No tail cable and connection included)		
Jacket types	0.9/2/3mm(PVC or Kevlar)		



JINPAT
www.slipring.cn

型号 MODEL	LPFO-01A					
客户编码 Customer code	/		名称 TITLE	Outline Drawing		
单位 UNIT	mm	TOL UNLESS SPECIFIED LINEAR 0--18 ±0.1 >18--80 ±0.15 >80--250 ±0.2 ANGLE x° ±0.5°	设计 DESIGN	HY	日期 DATE	2018.9.17
比例 SCALE	1:1		审核 CHECKED	CRJ	日期 DATE	2018.9.17
视角 PROJ.			版本 REV.	A0	页码 PAGE	1/1