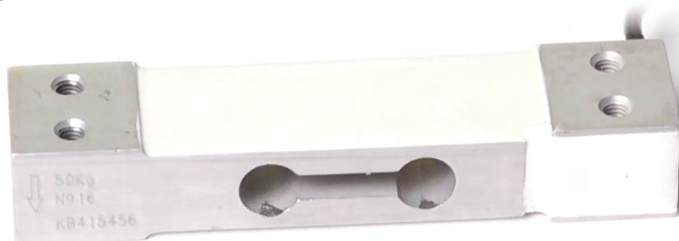




Capacity from 3 kg to 50 kg



- ALLOY ALUMINUM
- COMBINED ERROR $\leq \pm 0.02\%$ (0.017% C4; 0.014% C5)
- PROTECTION CLASS IP65

CAPACITY	kg	ACCURACY CLASS			OIML	IECEx	Ex	EAC	PLATFORM DIMENSION (mm)	NET WEIGHT OF LOAD CELL (kg)	CODE
		C3	C4	C5							
3		C3	C4	C5	•	•			250 x 350	0.2	ALL3
5		C3	C4	C5	•	•			250 x 350	0.2	ALL5
6		C3	C4	C5	•	•			250 x 350	0.2	ALL6
10		C3	C4	C5	•	•			250 x 350	0.2	ALL10
15		C3	C4	C5	•	•			250 x 350	0.2	ALL15
20		C3	C4	C5	•	•			250 x 350	0.2	ALL20
30		C3	C4	C5	•	•			250 x 350	0.2	ALL30
50		C3	C4	C5	•	•			250 x 350	0.2	ALL50

ON REQUEST

CERTIFICATIONS

OIML R60 C3

CERTIFICATIONS ON REQUEST


ATEX II 1GD (zone 0-1-2-20-21-22)

IECEx II 1GD (zone 0-1-2-20-21-22)

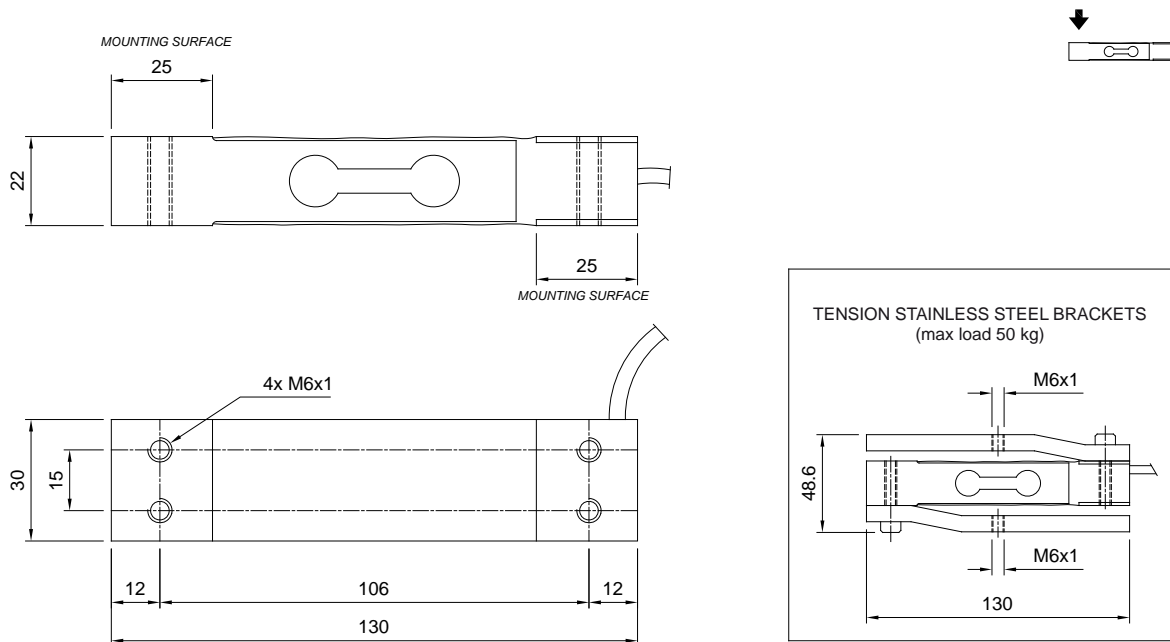
OIML R60 C4/C5

Complies with the Eurasian Custom Union regulations (Russia, Belarus, Kazakhstan)

COMPLEMENTARY ACCESSORIES

DESCRIPTION	CODE
 Pair of stainless steel tension brackets. Maximum static load: 50 kg	STAFFEALL

DIMENSIONS (mm)



TECHNICAL FEATURES

Material	Alloy aluminum		
	C3 • 3000	C4 • 4000	C5 • 5000
OIML R60 Accuracy class • Verification intervals	3 - 5 - 6 - 10 - 15 - 20 - 30 - 50 kg		
Nominal load (E max)	3 - 5 - 6 - 10 - 15 - 20 - 30 - 50 kg		
Minimum verification interval (V min)	E max / 10000	E max / 15000	E max / 20000
Combined error	≤ ±0.02%	≤ ±0.017%	≤ ±0.014%
Protection class	IP65		
Rated output	2 mV/V ±10%	Input resistance	409 Ω ±6
Temperature effect on zero	0.0017% °C	Output resistance	350 Ω ±3
Temperature effect on span	0.0014% °C	Zero balance	≤ ±2%
Compensated temperature range	-10 °C / +40 °C	Insulation resistance	≥5000 MΩ
Operating temperature range	-35 °C / +65 °C	Safe overload (% of full scale)	150%
Creep at nominal load in 30 minutes	0.015%	Ultimate overload (% of full scale)	300%
Max supply voltage without damage	18 V	Deflection at nominal load	0.5 mm

ELECTRICAL CONNECTIONS

Cable length	3 m
Cable diameter	3.8 mm
Cores	4 x 0.20 mm ²

