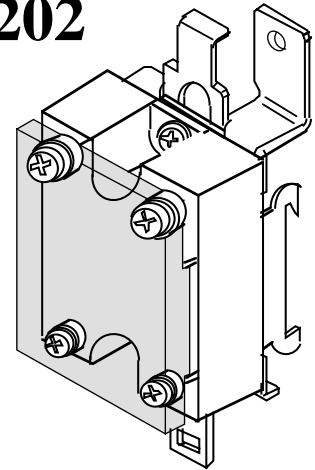


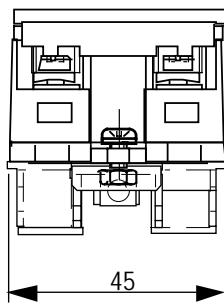
1LWD1202

SO ou/ou SC sur/on 1LD12020

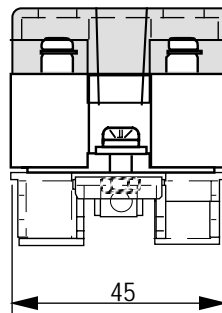


relais monophasé/one phase SSR

SO



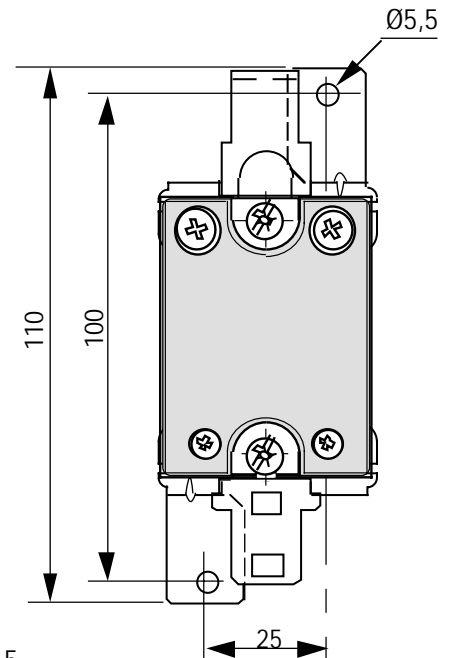
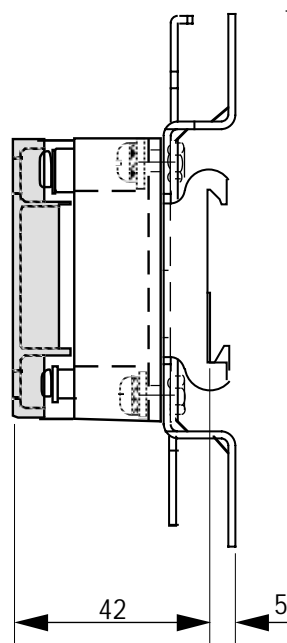
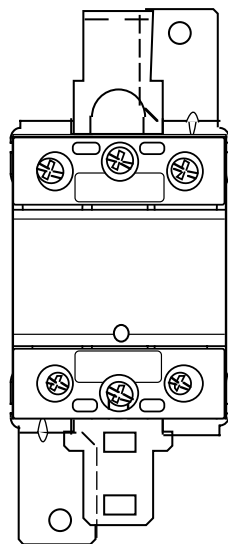
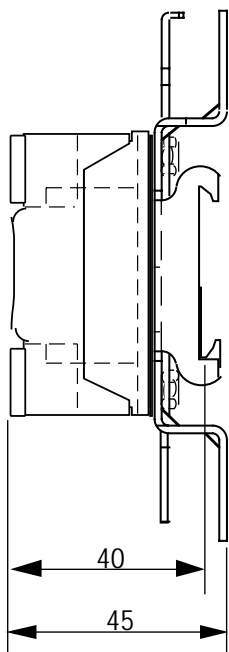
SC



(OPTION)
capot/cover
1K460000 ou/ou
1K470000

1LD12020
Platine/
Din rail adaptor

Le relais est monté uniquement en usine
this solution can be mounted in celduc factory



ISO 9001
N° 1993/1106a

Proud to serve you

All technical characteristics are subject to change without previous notice.
Caractéristiques sujettes à modifications sans préavis.

E-Mail : celduc-relais@celduc.com

celduc[®]
r e l a i s

www.celduc.com