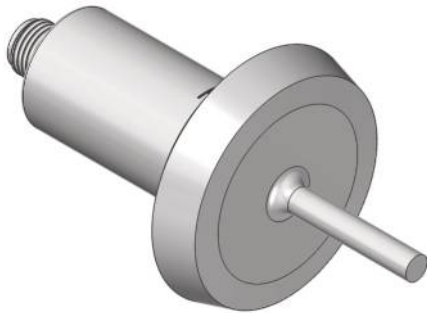


Temperature Sensor with IO-Link

FXTT016

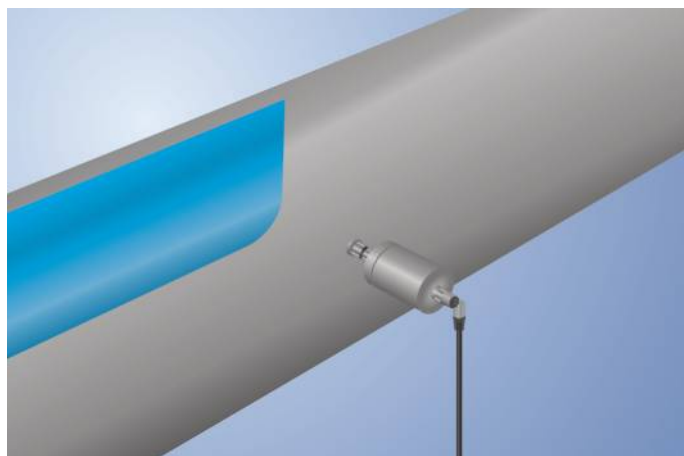
Part Number

weFlux² InoxSens



- FDA compliant
- Ready for Industry 4.0 with IO-Link 1.1
- Response time T90: < 2 seconds
- Temperature measuring range: -50 ... +150° C

weFlux² Temperature Sensors ensure precise temperature measurement of liquids and gases in closed piping systems. Either 2 switching outputs, 1 switching output and 1 analog output or one 2-wire analog output is available depending on settings and connection configuration. The outputs can be configured as desired via IO-Link in order to flexibly adapt the sensors to the respective application.



Technical Data

Sensor-specific data

Temperature Measurement Range	-50...150 °C
Adjustable Range	-50...150 °C
Medium	Liquids, gases
Measuring error	± 0,5 °C
Resolution	0,01 °C
Response Time	< 2 s

Environmental conditions

Temperature of medium	-50...150 °C
Ambient temperature	-25...80 °C
Storage temperature	-25...80 °C
Mechanical Strength	40 bar
EMC	DIN EN 61326-1
Shock Resistance	IEC 60751
Vibration resistance	IEC 60751

Electrical Data

2-wire supply power	12...32 V DC
3-wire supply power	12...32 V DC
Current Consumption (Ub = 24 V)	< 15 mA
Switching Outputs	2
Switching Output/Switching Current	± 100 mA
Switching Output Voltage Drop	< 1,5 V DC
Analog Output	0...10 V/4...20 mA
Current Output Load Resistance	(Ub-Ubmin)/0,02A
Short Circuit Protection	yes
Reverse Polarity Protection	yes
Protection Class	III
Interface	IO-Link V1.1

Mechanical Data

Setting Method	IO-Link
Housing Material	1.4404
Material in contact with media	1.4404
Degree of Protection	IP68/IP69K *
Connection	M12 × 1; 4-pin
Process Connection	Dairy pipe DN40
Process Connection Length (PCL)	54 mm
Probe Length (PL)	36 mm

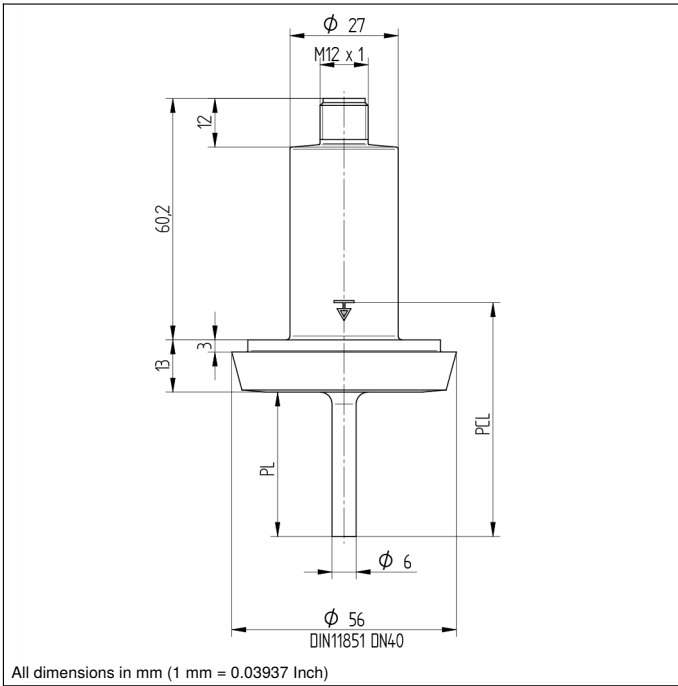
Analog Output	●
Configurable as PNP/NPN/Push-Pull	●
Switchable to NC/NO	●
IO-Link	●

Connection Diagram No.	139
Suitable Connection Technology No.	21

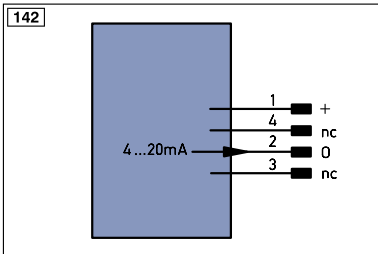
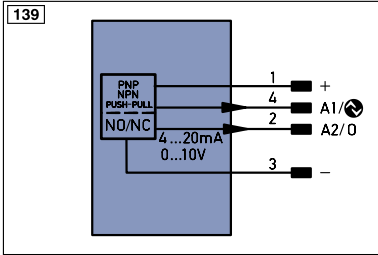
* Tested by wenglor

Complementary Products

IO-Link Master
wTeach2 software DNNF005



All dimensions in mm (1 mm = 0.03937 Inch)



Legend

+	Supply Voltage +	PT	Platinum measuring resistor	ENa	Encoder A
-	Supply Voltage 0 V	nc	not connected	ENb	Encoder B
~	Supply Voltage (AC Voltage)	U	Test Input	AMIN	Digital output MIN
A	Switching Output (NO)	U	Test Input inverted	AMAX	Digital output MAX
Ā	Switching Output (NC)	W	Trigger Input	AOK	Digital output OK
V	Contamination/Error Output (NO)	O	Analog Output	SY In	Synchronization In
ṽ	Contamination/Error Output (NC)	O-	Ground for the Analog Output	SY OUT	Synchronization OUT
E	Input (analog or digital)	BZ	Block Discharge	OLt	Brightness output
T	Teach Input	Aw	Valve Output	M	Maintenance
Z	Time Delay (activation)	a	Valve Control Output +		
S	Shielding	b	Valve Control Output 0 V		
RxD	Interface Receive Path	SY	Synchronization		
TxD	Interface Send Path	E+	Receiver-Line		
RDY	Ready	S+	Emitter-Line		
GND	Ground	±	Grounding		
CL	Clock	SnR	Switching Distance Reduction		
E/A	Output/Input programmable	Rx+/-	Ethernet Receive Path		
IO-Link	IO-Link	Tx+/-	Ethernet Send Path		
PoE	Power over Ethernet	Bus	Interfaces-Bus A(+)/B(-)		
IN	Safety Input	La	Emitted Light disengageable		
OSSD	Safety Output	Mag	Magnet activation		
Signal	Signal Output	RES	Input confirmation		
Bl..D+/-	Ethernet Gigabit bidirect. data line (A-D)	EDM	Contacting Monitoring		
EN0..RS422	Encoder 0-pulse 0-0 (TTL)	ENAR5422	Encoder A/Ā (TTL)		
		ENBR5422	Encoder B/B̄ (TTL)		

Wire Colors according to DIN IEC 757

BK	Black
BN	Brown
RD	Red
OG	Orange
YE	Yellow
GN	Green
BU	Blue
VT	Violet
GY	Grey
WH	White
PK	Pink
GNYE	Green/Yellow

