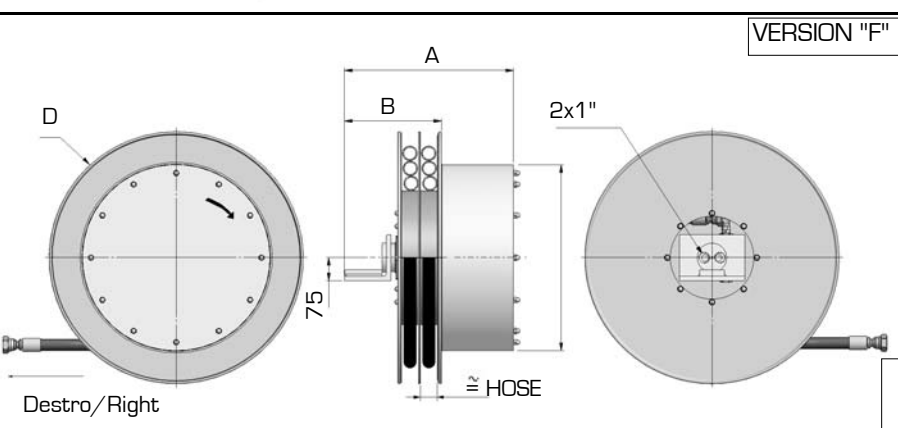
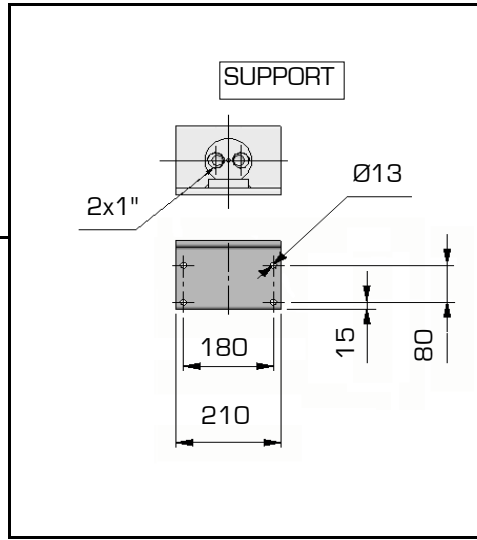
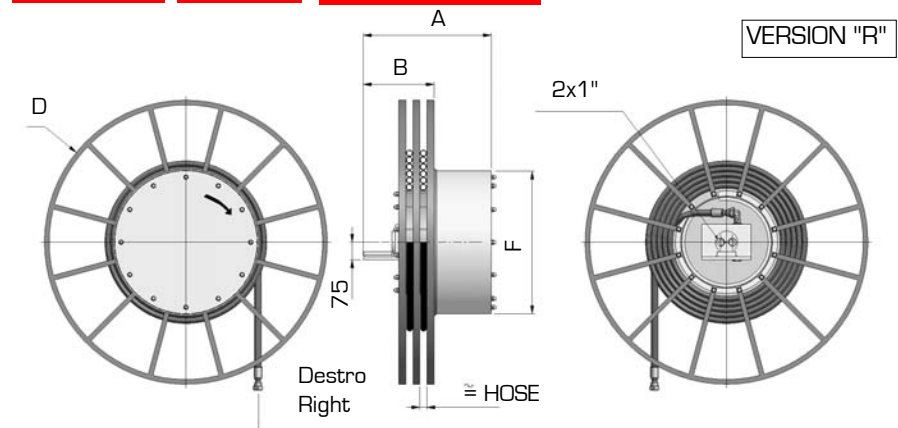
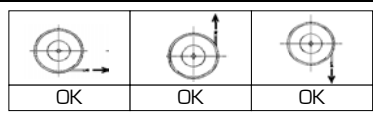


141.1



Destro Right

MAX 135 l/min **W. P. 350 bar** **MAX HOSE SPEED 30 m/min**



A2D700 = MODELLO DESTRO / RIGHT MODEL
 A2S700 = MODELLO SINISTRO / LEFT MODEL
 Es. ORD. A2D800.25.12.2SN

Modello destro Right model	Version	A	B	D	F	CON TUBO / WITH HOSE				
						Ø	Lungh.totale m	Lungh.utile m	Lungh.totale m	Lungh.utile m
							Total length m	Usable length m	Total length m	Usable length m
							2 SN		4 SP	
A2D600.25.19.XX	F			620	605	3/4"	6,5	5,5	6,5	5,5
A2D600.25.25.XX						1"	5,0	4,0	5,0	4,0
A2D700.25.16.XX	F	405	263	720	605	5/8"	9,5	8,5	9,5	8,5
A2D700.25.19.XX						3/4"	8,0	7,0	8,0	7,0
A2D700.25.25.XX						1"	6,4	5,4	6,4	5,4
A2D800.25.12.XX	F	405	263	810	605	1/2"	16,0	15,0	16,0	15,0
A2D800.25.16.XX						5/8"	14,0	13,0	14,0	13,0
A2D800.25.19.XX						3/4"	12,0	11,0	12,0	11,0
A2D800.25.25.XX						1"	10,0	9,0	8,6	7,6
A2D900.25.12.XX	F	542	300	910	605	1/2"	21,0	20,0	21,0	20,0
A2D900.25.16.XX						5/8"	19,0	18,0	17,0	16,0
A2D900.25.19.XX						3/4"	17,0	16,0	15,0	14,0
A2D900.25.25.XX						1"	13,5	12,5	11,2	10,2
A2D1000.25.12.XX	R	542	300	1000	605	1/2"	30,0	29,0	30,0	29,0
A2D1000.25.16.XX						5/8"	23,0	22,0	23,0	22,0
A2D1000.25.19.XX						3/4"	20,0	19,0	19,0	18,0
A2D1000.25.25.XX						1"	15,0	14,0	15,0	14,0
A2D1200.25.12.XX	R	542	300	1200	605	1/2"	38,0	37,0	38,0	37,0
A2D1200.25.16.XX						5/8"	30,0	29,0	30,0	29,0
A2D1200.25.19.XX						3/4"	30,0	29,0	26,0	25,0
A2D1200.25.25.XX						1"	22,0	21,0	22,0	21,0
A2D1400.25.12.XX	R			1400	650	1/2"	40,0	39,0	40,0	39,0
A2D1400.25.16.XX						5/8"	40,0	39,0	40,0	39,0
A2D1400.25.19.XX						3/4"	39,0	38,0	39,0	38,0
A2D1400.25.25.XX						1"	30,0	29,0	30,0	29,0