

KLIXON® | 4HVS Series

High Performance Hermetic Interlock Switches

FEATURES

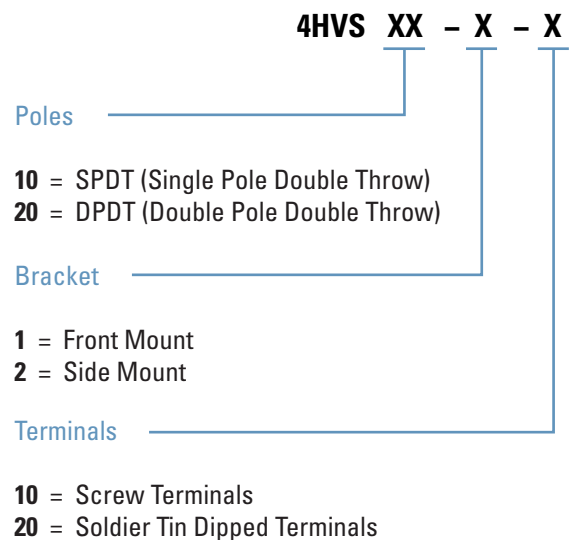
- Explosion-proof device
- Stainless steel, hermetic seal construction
- Rated to 10 amps
- Rated for 28 VDC and 110 VAC, 60-900 Hz
- Available in single pole, double throw (SPDT) and double pole, double throw (DPDT)
- Screw or soldier terminals

INTRODUCTION

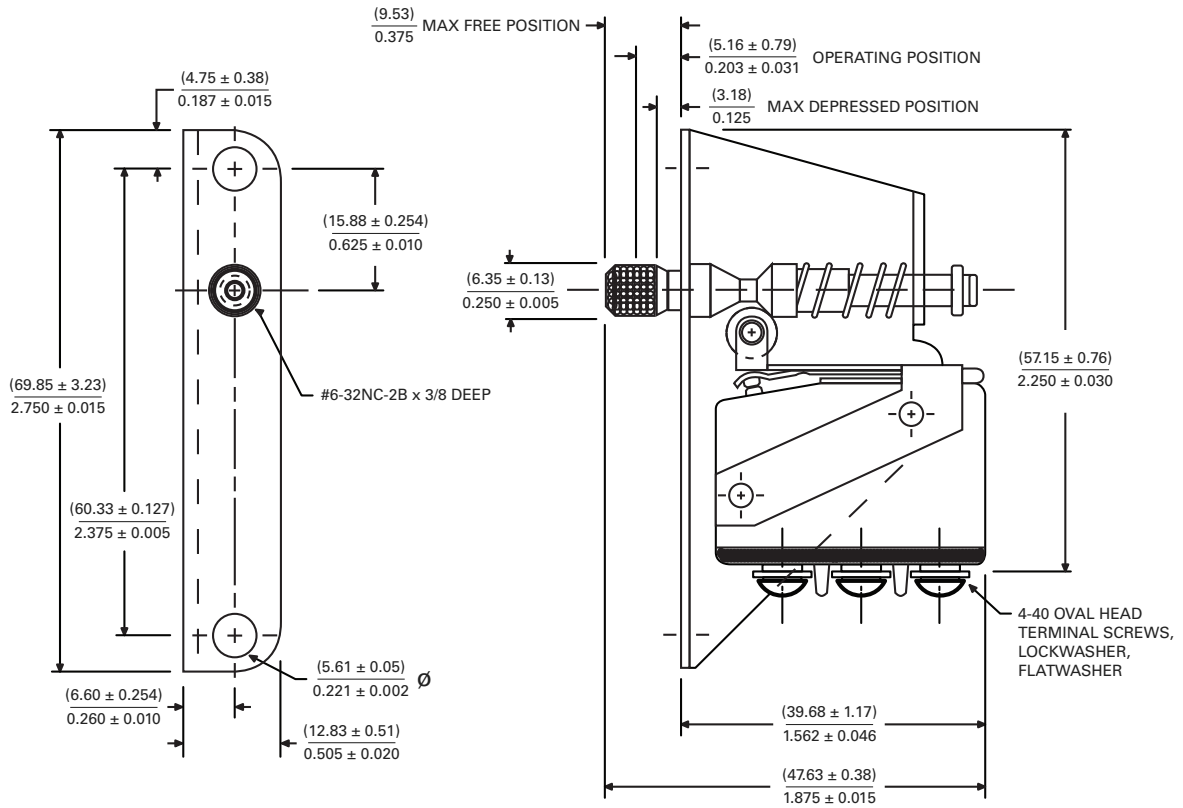
The Klixon® 4HVS series of interlock switches utilizes a hermetically sealed snap-acting sine switch to create a high reliability yet cost effective solution. The 4HVS Series was developed for the most severe environments, and the most demanding applications. Ideal for guarding engine compartments, access and maintenance hatches, electrical cabinets, machinery, and industrial equipment. Its explosion-proof design and one-piece steel case construction make it well suited for fuel wetted areas. Its high vibration resistance makes it an ideal choice for ground and air vehicle applications.

Our part number building block approach utilizes standard components and provides a wide variety of options...while retaining the cost advantage of off-the-shelf devices.

SPECIFICATIONS		
Current Capacity	28 VDC	115 VAC, 60 - 900Hz
Resistance	10 amps	10 amps
Inductive	5 amps, L/R .026	5 amps PF 0.7
Lamp	3 amps	3 amps
Dielectric Strength	1250 volts (RMS)	
Full Overtavel Force	5 lbs max	
Life @ Rated Load	25,000 cycles	
Amb. Temperature Range	-65F to +275F (-65C to +150C)	
Seal	Hermetic per MIL-S-8805D	
Max Leak Rate	1x10 ⁻⁸ C.C. std. HE/sec	
Backfill	Dry nitrogen	
Max MV Drop	20 MV @ 1 amp	
Vibration Resistance	Swept sinusoidal vibration per MIL-S-8805 Test Condition A	
Shock Resistance	100 G's, 1/2 sine, 11 ms duration	



DIMENSIONAL DRAWINGS – 4HVS10-1-10



DIMENSIONAL DRAWINGS – 4HVS20-1-10

