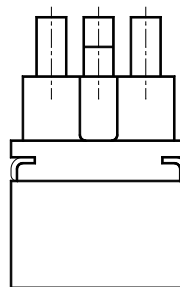
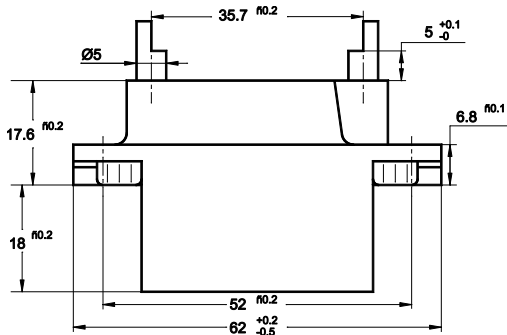
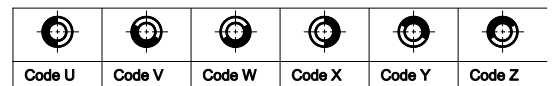


Applicable relais:
SERIES F472, FD472,
THLOR, THLM, THLC, THLAO



CODING KEY DETAIL
DÉTAIL CLÉS DE DÉTROMPAGE



GENERAL CHARACTERISTICS CARACTERISTIQUES GENERALES

Connections by 5 mm tabs according to ST363C <i>Connexions par languette de 5 suivant ST363C</i>	
Contact Resistance / Résistance de contact	< 5mΩ
Maximum Current / Intensité maximale	15A
Dielectric Strength / Rigidité diélectrique	2625 Vrms / 50 HZ
Insulation Resistance / Resistance d'isolement	> 1000 MΩ at 100 Vdc
Weight / Masse	70g max

LEACH INTERNATIONAL EUROPE S.A.S.
Tel: +33 3 87 97 98 97
Fax: +33 3 87 97 96 86

LEACH INTERNATIONAL ASIA PACIFIC
Tel: +852 2 191 3830
Fax: +852 2 389 5803

The technical information provided by Leach International Europe is to be used as a guide only, and is not meant for publication or as documentation for altering any existing specification. Dimensions are in millimeters unless otherwise specified. Rev. 06/2019.

MOUNTING STYLES TYPES DE FIXATIONS

