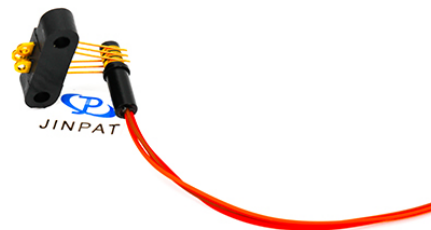


LPS-03A-Rotor LPS-03B- Stator Separate Slip Ring

The LPS-03 separate slip ring is a standard, off-the-shelf unit that uses gold contacts at the rotary interface. Color-coded lead wires are used on both the stator and rotor for simplifying electrical connections. Using a 90° V-groove ring design for each ring, the LPS-03A provides smoother running, lower torque and lower electrical noise than competitive slip rings.



Specifications

| | |
|-----------------------|--------------------------------------|
| Operating Speed | 0-100 rpm |
| Number of Circuits | 3 |
| Voltage | 240 VAC/DC |
| Current Rating | 1-3A |
| Temperature Range | -20°C to +60°C |
| Contact Material | Gold to Gold |
| Lead Size | 32 # silver plated copper |
| Lead Length | Standard 250 mm (9.843inch) |
| Dielectric Strength | ≥500 VAC @50Hz, between each circuit |
| Insulation Resistance | 1000 MΩ @ 500 VDC |
| Electrical Noise | 1mΩMin |

Capsule Length

| # of Circuits | L (mm) | Part No |
|---------------|--------|---------|
| 3 | Φ2.9 | LPS-03 |

- ◆ The operating life of the unit depends upon temperature, rotation speed and environment.
- ◆ The operating life ≥50,000,000 runs ref.

Features



- ✓ 3 circuits models
- ✓ Speed up to 300 rpm continuous
- ✓ Gold-Gold contacts
- ✓ 250mm standard lead lengths
- ✓ Compatible with data bus protocols
- ✓ Sealed units are available
- ✓ Flexible, color-coded, silver-plated, lead wires
- ✓ Precision ball bearings meet or exceed life requirements for most commercial applications



TEMPERATURE RANGE
-20° C to 60° C



MAXIMUM OPERATING SPEED
0-300 RPM

Applications

- ✓ Electrical test equipment
- ✓ Manufacturing and process control equipment
- ✓ Indexing tables and CTV pan / tilt camera mounts
- ✓ Robotics, rotary sensors, urgent illumination equipmen
- ✓ Exhibit / display equipment/Closed-circuit control
- ✓ Aviation ,military ,instrument
- ✓ Mini-type wire-rolling machine
- ✓ Custom Machinery / OEM Machinery



Advantage



- ✓ Low torque minimizes system torque budget
- ✓ Compact design to fit in the most demanding space
- ✓ Smooth running
- ✓ Low electrical noise
- ✓ Prompt shipment per your urgent requirement
- ✓ 360°continuous rotation
- ✓ High bandwidth transfer capability
- ✓ Addition of special components
- ✓ Working Humidity is 60%RH or higher
- ✓ Body material using precious metal

Wire Color Code

| Wire Size | Ring # | Color | Ring # | Color | Ring # | Color | Ring # | Color |
|--|--------|----------|--------|---------|--------|---------|--------|---------|
| AWG32# silver plated copper Teflon UL | #1 | BLK | #2 | BRN | #3 | RED | #4 | ORG |
| | #5 | YEL | #6 | GRN | #7 | BLK-BLU | #8 | PUR |
| | #9 | GRAY | #10 | WIT | #11 | PINK | #12 | AZURY |
| | #13 | WIT/BLK | #14 | WIT/BRN | #15 | WIT/RED | #16 | WIT/ORG |
| | #17 | WIT/YET | #18 | WIT/GRN | #19 | WIT/BLU | #20 | WIT/PUR |
| | #21 | WIT/GRAY | #22 | CLAR | #23 | BLK-RED | #24 | BLK/BRN |

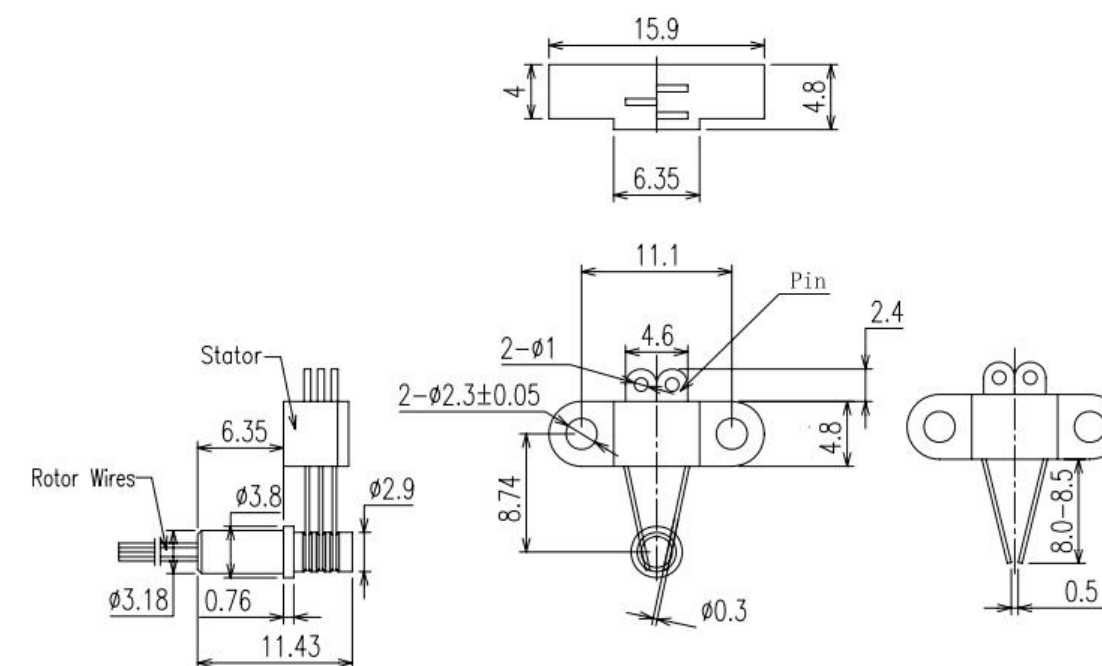
Remarks: 1. AWG32# silver plated copper Teflon UL, 24 different color single wires for a circle

2. #1 from rotor side (The color if the wire can be changed).

Contact us on wire color codes

Drawings

Model: LPS-03



MESSAGE

Any questions about slip ring, please leave your message to get a professional solution

PRODUCT CATEGORY

FORJ
Capsule slip ring
Through bore slip ring
Pancake slip ring
Mercury slip ring
Separate slip ring
Miniature slip ring
Wind turbine slip ring
Hydraulic slip ring
Pneumatic slip ring
Coaxial rotary joints

REQUESTS

Circuits
Current&voltage
Signal details
Dimension
Working speed
Working temperature
Operating
Environment
Other

INDUSTRIES

Surveillance
Crane
Medical
Marine
Defence
Radar antenna
Automation
Meter and instrument
Wind turbine generator
VR Device
Other



Send